



Effective Date: 2011.02.28

Author: AVGD0

Version: 0

Document Chinese Title: 12.1" (G121 Series)TFT-LCD 進料檢驗規範 (A)

Document English Title: Incoming Inspection Standard For 12.1" (G121 Series) TFT-LCD Modules (A)

AU OPTRONICS CORPORATION
Specification for Approval
INCOMING INSPECTION STANDARD FOR
12.1" TFT-LCD MODULES (A)
Model Name: G121 Series

Approved By	Prepared By

General Display Business Unit/AU Optronics

Customer	Checked and Approved by
Data Modul	



Effective Date: 2011.02.28

Author: AVGD0

Version: 0

Document Chinese Title: 12.1" (G121 Series)TFT-LCD 進料檢驗規範 (A)

Document English Title: Incoming Inspection Standard For 12.1" (G121 Series) TFT-LCD Modules (A)

1. Scope:

1.1 The incoming inspection standards shall be applied to TFT-LCD Modules (hereinafter called "Modules") that supplied by AU Optronics Corporation (hereinafter called "seller").

1.2 Specifications contains

- Electrical inspection specification
- Appearance specification
- Outside dimension specification

2. Incoming inspection:

The buyer (customer) shall inspect the modules within twenty calendar days since the delivery date (the "inspection period") at its own cost. The results of the inspection (acceptance or rejection) shall be recorded in writing, and a copy of this writing will be promptly sent to the seller.

The buyer may, under commercially reasonable reject procedures, reject an entire lot in the delivery involved. Within the inspection period, if the samples of modules within a lot show a number of unacceptable defects in accordance with this incoming inspection standards, the buyer must notify the seller in writing of any such rejection promptly, and not later than within three business days in the end of the inspection period.

Should the buyer fail to notify the seller within the inspection period, the buyer's right to reject the modules shall be lapsed and the modules shall be deemed to have been accepted by the buyer.

3. Inspection sampling method:

Unless otherwise agree in writing, the method of incoming inspection shall be based on MIL-STD-105E.

3.1 Lot size: Quantity per shipment lot per model.

3.2 Sampling type: Normal inspection, single sampling.

3.3 Sampling level: Level II.

3.4 Acceptable quality level (AQL):

Major defect: AQL=1.0%.

Minor defect: AQL=2.5%.

4. Inspection instruments:

4.1 Pattern generator: LD-2000 or equivalent model.

4.2 Video board: AU video board or equivalent. The output of the signal should comply with the specification provided by AU.

4.3 Luminance colorimeter: Topcon BM-7 or equivalent model

5. Inspection environment conditions:

5.1 Room temperature : 20 ~ 25 C.

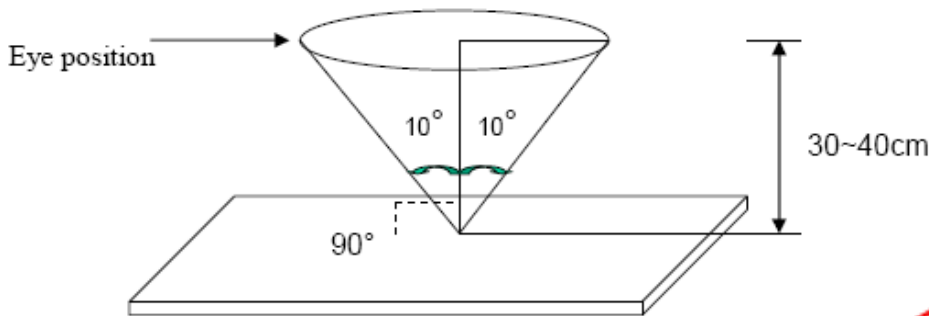
5.2 Humidity: 65±5% RH.

5.3 Illumination: Fluorescent light (Day-Light Type) display surface illumination to be 300 ~ 700 lux. (standard 500 lux.)

5.4 To be a distance about 35 ± 5 cm in front of LCD unit, viewing line should be perpendicular to the surface of the module judge the visual appearance with human's eyes.

5.5 Take off the protector of polarizer while judging the display area.

5.6 If there is any question while judging, check the panel again while operating.



6. Classification of defects:

Defects are classified as major defects and minor defects according to the degree of defectiveness defined herein.

Major defects:

A major defect is a defect that is likely to result in failure, or to reduce materially the usability of the product for its intended purpose.

Minor defects:

A minor defect is either a defect that is not likely to reduce materially the usability of the product for its intended purpose, or a departure from an intended purpose with little bearing on the effective use or operation of the product.

6.1 Electrical inspection specification

Inspection Item		Specification
Line defect		Can't be seen.
Bright dots		≤ 2 dot
Dark dots		≤ 3 dots
Total dots defect		≤ 5 dots
Continuous defect	Two continuous bright dots :	≤ 1 pair
	Over three continuous bright dots (vertical, horizontal, oblique) :	Not allowed
	Two continuous dark dots (vertical, horizontal, oblique) :	≤ 1 pair
	Over three continuous dark dots (vertical, horizontal, oblique) :	Not allowed
	Two continuous dark dots and bright dots (vertical, horizontal, oblique) :	≤ 1 pair



Effective Date: 2011.02.28

Author: AVGD0

Version: 0

Document Chinese Title: 12.1" (G121 Series)TFT-LCD 進料檢驗規範 (A)

Document English Title: Incoming Inspection Standard For 12.1" (G121 Series) TFT-LCD Modules (A)

	Distance between 2 Bright dots :	≥15 mm
	Distance between 2 Dark dots :	≥ 15 mm
	Distance between Dark dot and Bright Dot :	≥ 15 mm
Mura		6% ND filter

Note 1) For dot defect, one sub pixel is defined as one dot.

Note 2) Defect area (of dot defect) should be larger than 1/2 area of one sub-pixel to be count as 1 dot defect.

Note 3) Adjacent-dot defect should be observed under the same display pattern in any one of Black/Green/Blue/Red pattern.

Definition of two continuous bright dots: Only for two continuous dots (included vertical, horizontal, oblique type)

*Inspection pattern: Standard inspection patterns of dot defect are listed below. AU uses these patterns as standard criteria for judging dot defect. Please inform AU if any other pattern is to be used to examine dot defect.

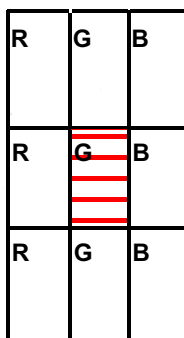
Test Pattern	Defect
Black	For bright dot(s)
Red	For bright and dark dot(s)
Green	For bright and dark dot(s)
Blue	For bright and dark dot(s)

Note 5) In three (or more) adjacent dot defect, for any 3rd dot that adjacent to 2 continuous defective dots (can be of any combination of bright dots and dark dots), the 3rd dot, no matter how large it may be, should be viewed as a dot.

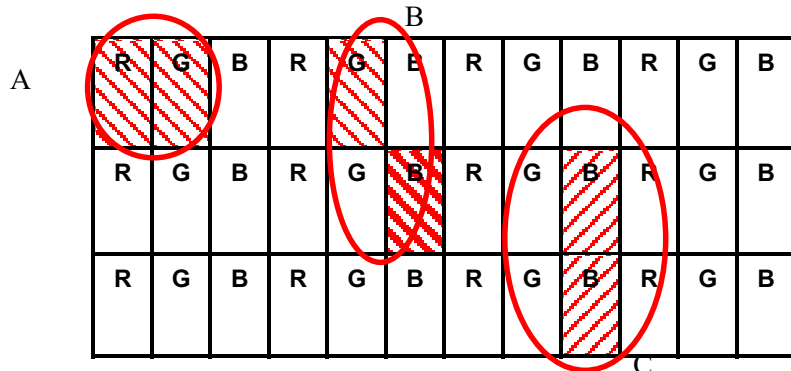
Note 6) Defect criteria diagram

- Dot defect diagram

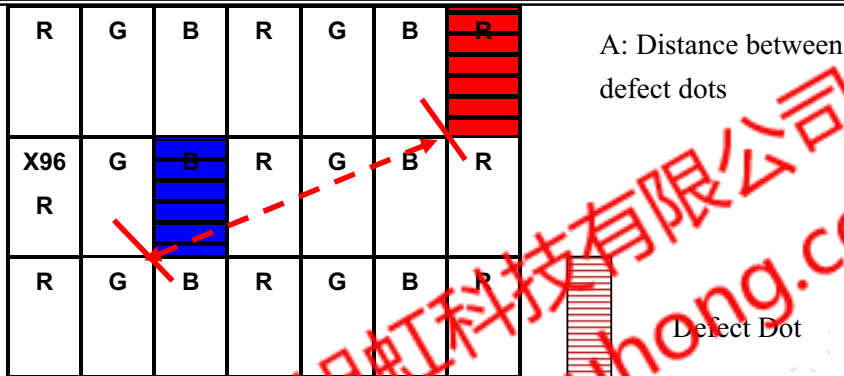
One dot (Bright /Dark)



Two continuous dots(Bright/Dark)



- Definition of distance between defect dots as following



6.2 Appearance inspection specification

Judge area	Judge item	Inspection specification	Judge criterion			
			Major	Minor		
Active area	Particles, scratch and bubbles in display area	Circular	Average diameter: D(mm)	Numbers		
			D<0.15	Disregarded		
			0.15≤D<0.50	n≤2		
				0.50≤D	n=0	
		Linear	Width: W(mm)	Numbers		
			Length: L(mm)	Disregarded		
W<0.05	n≤2					
		0.05≤W≤0.07	L≤5	n=0		
		0.07<W	L>5	n=0		
From Active area outside 0.3mm	The end of polarizer	The defect can't be seen ,from active area outside 0.3mm		○		
Bezel	Scratch	1. No sharp burr/edge to cause safety issue; 2. The bezel defect to be accepted if it is not affecting display performance, quality and mechanical property.		○		
	Dirt			○		
	Wrap			○		
	Sunken			○		
Label (S/N, B/L, WEEK)	No label	No	○			
	Overlap Label (triple)			○		
	Invert label			○		
	Broken			○		
	Dirt			○		
	Not clear		Word can be read.		○	
	Word out of shape				○	
	Mistake		No		○	
Position	Be attached on right position		○			
Screw	Not enough (Q'ty)	No	○			
	float	No		○		
	Limp	Grounding OK		○		
Solder	Appearance	Can't see the abnormal color,shape,hurt,dirt(fused goods,etc)If it is necessary,please prepare sample.	○			
White Sheet	Broken	No	○			
Connector	Connection status	No correct connection	○			
FPC/FFC	Broken	NO	○			



Effective Date: 2011.02.28

Author: AVGD0

Version: 0

Document Chinese Title: 12.1" (G121 Series)TFT-LCD 進料檢驗規範 (A)

Document English Title: Incoming Inspection Standard For 12.1" (G121 Series) TFT-LCD Modules (A)

Note 1 : Extraneous substances which can be wiped out, such as fingerprint and particles are not considered as a defect.

Note 2 : Defects on the Black Matrix (outside Active Area 0.3mm) are not considered as a defect.

Note:3 :ND filter use method The inspection method of ND Filter - holding ND filter in front of the panel around 10 mm and examine the panel from **35±5** cm in the front view for **1** seconds.

7. Inspection judgement:

- 7-1 The judgement of the shipped lot (acceptance or rejection) should follow the sampling plan of MIL-STD-105E, single sampling, normal inspection, level II.
- 7-2 If the number of defects is equal to or less than the applicable acceptance level, the lot shall be accepted.
- 7-3 If the number of defects is more than the applicable acceptance level, the lot shall be rejected and the buyer should inform the seller of the result of incoming inspection in writing

8 Precaution:

Please pay attention to the following items when you use the LCD Module with back-light unit.

1. Do not twist or bend the module and prevent the unsuitable external force for display module during assembly.
2. Adopt measures in adequately ventilated environment. Be sure to use the module in the specified temperature range.
3. Avoid dust or oil mist during assembly.
4. Follow the correct power sequence while operating. Do not apply the invalid signal, otherwise, it will cause improper shut down and damage the module.
5. Try to avoid the electrical magnetic interference, and it will be more safety and less noise.
6. Please operate module in suitable temperature. The response time & brightness will drift by different temperature.
7. Avoid displaying the fixed pattern (exclude the white pattern) in a long period, otherwise, it will cause image sticking.
8. Be sure to turn off the power when connecting or disconnecting the circuit.
9. Display surface Polarizer scratches easily, please avoid dirt and stains carefully.
10. A dewdrop may lead to destruction. Please wipe off any moisture before using module.
11. Sudden temperature changes cause condensation, and it will cause polarizer damaged.
12. High temperature and humidity may degrade performance. Please do not expose the module to the direct sunlight and so on.
13. Avoid any acid or chlorine compounds, which are harmful to the LCD module.
14. Static electricity will damage the modules; please do not touch the module without any grounded device connected.
15. Do not disassemble and reassemble the module by self.
16. Do not touch the rear side directly to avoid the electrical shock by the backlight high voltage.
17. Avoid strong vibration or shock. or it will cause the module broken.
18. Store the modules in suitable environment with regular packing.
19. Be careful of injury from a broken display module. Please avoid the pressure adding to the surface (front or rear side) of modules, because it will cause the non-uniformity or other function issue to display.



Effective Date: 2011.02.28

Author: AVGD0

Version: 0

Document Chinese Title: 12.1" (G121 Series)TFT-LCD 進料檢驗規範 (A)

Document English Title: Incoming Inspection Standard For 12.1" (G121 Series) TFT-LCD Modules (A)

AU Optronics Corp.

No. 1, Li-Hsin Rd. II,

Science-Based Industrial Park,

Hsin-Chu City, Taiwan, R.O.C.Tel :886-3-500-8800

Fax:886-3-666-9320

杭州旭虹科技有限公司
www.hzxuhong.com